

AMERICAN SAR 180/275

**E & L Manufacturing is the SOLE SOURCE and MANUFACTURER
for new AMERICAN SAR 180 Rifles, Parts and ACCESSORIES**

Semi-Automatic American 180/275 \$1,250.00



TRANSPARENT DRUMS - FIT ALL 180'S

NOW YOU CAN VISUALLY CHECK YOUR REMAINING ROUNDS

165 / 220 / 275 ROUND DRUMS

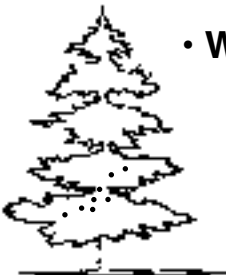
MAGAZINE AUTO LOADER, LOADING STAND & CARRYING CASE

ORIGINAL AMERICAN 180 • PARTS and SERVICE

- BARRELS • RECEIVER TOP STRAPS • BOLTS • TRIGGER ASSEMBLIES •
- FEED BLOCKS • SPRINGS • PINS • SEARS • DRUM MAGAZINES •
- WINDERS • WALNUT STOCKS • RETRACTABLE WIRE STOCKS •

E & L MFG. INC.

4177 Riddle By-Pass Road • Riddle, OR 97469
541-874-2137 Fax 541-874-3107





E & L MANUFACTURING INC.

Home of the American 180 & The Best Brass Catchers In The

180 WEB SITE: www.american180.com E&L WEB SITE: www.elmfg.com

E-Mail: elmfg@frontiernet.net

Phone 541-874-2137 www.brasscatchers.com Fax 541-874-3107

Thank you for your interest in the American 180. Due to the numerous changes in the design throughout the history of the American 180, such as bolts, barrels, receiver design as well as changes in springs, sears, pins, etc., we are unable to supply parts without first knowing the manufacturer/importer as well as model number if known. It is recommended that you call E & L Mfg., Inc. to determine which American 180 you have.

The American 180 is a real pleasure to own. Chances of a malfunction will be greatly reduced, by keeping your rifle clean, well lubricated, and using high quality ammunition. If problems occur, E & L offers a complete service department to keep your rifle operating properly. We will completely tune the rifle for \$300.00 plus parts. Contact E & L for shipping instructions.

SHIP TO;

NAME _____ ADDRESS _____

CITY & STATE _____ ZIP _____

AREA CODE & PHONE _____

Specify Manufacturer/ Importer, Make and Model: _____

PART #	PART DESCRIPTION	QUANTITY	PRICE EACH	TOTAL

Customer's Notes: _____

Subtotal for Merchandise above.....\$ _____

Standard Shipping is Via. U.S. Postal Service Priority Mail
 Shipping: U.S. & Canada \$ 8.00 for the first \$50.00, From \$51.00
 to \$100.00 add \$2.00. Add \$2.00 for each additional \$100.00.....\$ _____

Payment Enclosed


Master Card


Visa


American Express


Discover

Total Amount This Order.....\$ _____

Card Holder Name _____

Card Number _____ Exp. Date _____ CVV# _____

Signature _____



E & L MANUFACTURING INC.

Home of the American 180 & The Best Brass Catchers In The

180 WEB SITE: www.american180.com E&L WEB SITE: www.elmfg.com

E-Mail: elmfg@frontiernet.net

Phone 541-874-2137 www.brasscatchers.com Fax 541-874-3107

WEIGHTS:

- Gun — 6 lbs.
- 275-L Mag. (Laded) — 21/2 lbs.
- 177 Metal Mag (Empty) — 2 1/4 lbs
- Winder — 1 lb

AMERICAN 180 REPLACEMENT PARTS LIST

- INSTRUCTION MANUAL (ILARCO - FEATHER)..... \$ 10.00
- INSTRUCTION MANUAL (AUSTRIAN & AMERICAN ARMS) \$ 10.00

SHOULDER STOCK ASSEMBLY

BARREL ASSEMBLY

- 1001001-000 TALL FRONT SIGHT COMPLETE \$ 5.00
- 1102003-000-H BARREL RETAINING KNOB ASSEMBLY (ILARCO-E&L)..... 20.00
- 1102003-000-A BARREL RETAINING KNOB (AUSTRIAN)..... 12.00
- 1001007-000 FLASH SUPPRESSOR 30.00
- 1001003-000 SLING RING (BARREL ONLY) 12.00
- 1001007-000-A SLING MOUNTING KIT FRONT & BACK (AUSTRIAN) 25.00
- 1001010-000 18" STANDARD SEMIAUTO BARREL 200.00
- 18" FINNED & THREADED FOR SUPPRESSOR 250.00
- 14" FINNED & THREADED FOR SUPPRESSOR..... 250.00
- 9" MACHINE GUN BARREL 250.00
- 1004006-000 MILITARY PISTOL GRIP FOREGRIP (BLACK)..... 25.00
- 1004007-000 WALNUT HORIZONTAL FOREARM 30.00
- 1004007-001 WALNUT PISTOL GRIP FOREARM † 50.00

TRIGGER GRIP ASSEMBLY

- 1003000-000 TRIGGER HOUSING (STRIPPED)..... \$ 80.00
 - 1003002-000 TRIGGER RETURN PLUNGER 2.50
 - 1303008-000 TRIGGER, RETURN SPRING60
 - 1304002-016 TRIGGER PIVOT DOWEL PIN 6.00
 - 1301005-064 PAN HEAD SCREW, 1/4-20 X 4.00" 3.00
 - 1305000-006 FLAT WASHER, 1/4" 1.25
 - 1004003-000 MILITARY TRIGGER GRIP (BLACK)..... 20.00
 - 1004008-000 WALNUT TRIGGER GRIP 50.00
- SELECT FIRE:**
- 1003001-000 TRIGGER, SELECT FIRE..... \$ 30.00
 - 1303009-000 SEAR RETURN SPRING..... 3.00
 - 1306003-002 BALL BEARING, .312" DIA 2.00
 - 1305000-006 FLAT WASHER, 1/4" 1.25
 - 1103000-000 COMPLETE TRIGGER GRIP ASSEMBLY, (MILITARY) 135.00
 - 1103000-001 COMPLETE TRIGGER GRIP ASSEMBLY, (WALNUT) 155.00

SEMIAUTOMATIC:

- 1003001-001 TRIGGER, SEMI-AUTOMATIC \$ 25.00
- 1103000-002 COMPLETE TRIGGER GRIP ASSEMBLY, (MILITARY) 125.00
- 1103000-003 COMPLETE TRIGGER GRIP ASSEMBLY, (WALNUT) 145.00

NOTES:

† CALL FOR AVAILABILITY

- 1004000-000 STOCK RELEASE PIN \$ 12.00
- 1004001-000 STOCK MOUNTING PLATE 45.00
- 1303010-000 STOCK RETAINING SPRING..... 2.50
- 1301014-020 FLAT HEAD WOOD SCREW, #8 X 1.25" (2)..... 1.50
- 1301002-006 PAN HEAD SCREW, 8-32 X .375" 1.00
- 1305000-004 FLAT WASHER, #8 1.00
- 1004004-000 MILITARY SHOULDER STOCK OUT OF STOCK† 00.00
- 1004009-000 WALNUT SHOULDER STOCK..... 125.00
- 1104000-000 COMPLETE MILITARY STOCK (3 PART SET) OUT OF STOCK
- 1104000-001 COMPLETE WALNUT STOCK (3 PART SET) 185.00

MAGAZINE ASSEMBLY

- 1106000-165-S MAGAZINE ASSEMBLY (ALL METAL USED) † \$ 300.00
- 1106000-177-S MAGAZINE ASSEMBLY (ALL METAL USED) † 350.00
- 1106000-165-L 165 RND CLEAR MAGAZINE ASSEMBLY (LEXAN)..... 75.00
- 1106000-220-L 220 RND CLEAR MAGAZINE ASSEMBLY (LEXAN)... 100.00
- 1106000-275-L 275 RND CLEAR MAGAZINE ASSEMBLY (LEXAN)... 125.00
- 1106004-001 MAGAZINE FOLLOWER (STEEL 165 & 177) 40.00
- 1106004-001-L MAGAZINE FOLLOWER (LEXAN E&L) 5.00
- 1006004-ABP MAGAZINE BOTTOM PLATE (ALUMINUM)W/HARDWARE 45.00
- 1006004-111 MAGAZINE BOTTOM PLATE (LEXAN E&L) 20.00
- 1006005-000-L MAGAZINE RETAINING RING (LEXAN) 5.00
- 1006007-000 WINDER RETAINING SPRINGS (2 PER SET) 10.00
- 1006006-000 SPACER WASHER (2 PER SET) 5.00
- 1301002-004 PAN HEAD SCREW, 8-32 X .250" (4 PER SET) 2.00
- 1305000-004 FLAT WASHER, #8 (2 PER SET) 2.00
- 1006012-000 LOADING TOOL (ORIGIONAL LOADING TOOL) 5.00
- 1006012-001-L LOADING TRAY (TRANSPARENT LEXAN) 35.00

BOLT ASSEMBLY

- SELECT FIRE:**
- 1002011-000 SELECT FIRE BOLT \$ 125.00
 - 1002016-000 M2 EXTRACTOR 15.00
 - 1303001-000 EXTRACTOR SPRING 1.00
 - 1304004-000 ROLL PIN, .085 DIA X .562" 1.00
 - 1002006-000 BOLT SPRING GUIDE 8.00
 - 1306001-000 SPRING CLIP, E TYPE60
 - 1303000-000 BOLT SPRING 15.00



E & L MANUFACTURING INC.

Home of the American 180 & The Best Brass Catchers In The

180 WEB SITE: www.american180.com E&L WEB SITE: www.elmfg.com

E-Mail: elmfg@frontiernet.net

Phone 541-874-2137 www.brasscatchers.com Fax 541-874-3107

BOLT ASSEMBLY (CONTINUED)

SEMI-AUTO:

1002026-001-SB	SEMI-AUTOMATIC BOLT (NEW SELF CLEANING)	\$150.00
1002032-001-E	M1 EXTRACTOR	15.00
1303001-000	EXTRACTOR SPRING	1.00
1304004-009	ROLL PIN, .085 DIA X .562" (2)	1.00
1002033-001-FP	FIRING PIN (SEMI-AUTOMATIC)	25.00
1002031-000	BOLT SPRING GUIDE (SEMI-AUTOMATIC)	35.00
130314-001-BS	BOLT SPRING (SEMI-AUTOMATIC)	15.00
1002030-000	FIXED SEAR	20.00
1002029-000	STRIKER RELEASE	20.00
1303012-000	STRIKER RELEASE SPRING	4.00
1303013-000	STRIKER SPRING	15.00
1303014-000	STRIKER ASSEMBLY	50.00

WINDER ASSEMBLY

1107000-001-G	COMPLETE WINDER ASSEMBLY (GEARED)	\$ 75.00
1107000-001-UG	COMPLETE WINDER ASSEMBLY (UNGEARED)	75.00
SHIP YOUR WINDER TO E&L FOR CONVERSION TO NON-GEARED.		25.00

TOP STRAP ASSEMBLY

1005000-001-TS	TOP STRAP	\$ 125.00
1005001-001-MR	MAGAZINE RETAINER & RELEASE (IMPROVED)	25.00
1303006-000	MAGAZINE RETAINER SPRING	1.00
1304004-009	ROLL PIN, .085 DIA X .562"	1.00
1306000-001-RS	REAR SIGHT	80.00
1301000-003	PAN HEAD SCREW, 5-40 X .187"	1.00
1305001-002	SPLIT LOCK WASHER, #5	1.00
1105000-001-TSC	TOP STRAP ASSEMBLY (COMPLETE)	215.00

FEED BLOCK ASSEMBLY

1102002-001-FBH	FEED BLOCK ASSEMBLY (HEAVY BARREL)	\$ 100.00
1102002-001-FBT	FEED BLOCK ASSEMBLY ("T" SLOTTED BARREL)	125.00
INSTALL RETAINING SET SCREWS IN YOUR FEED BLOCK.		50.00

SEAR ASSEMBLY

1002012-001-S	SEAR	\$ 45.00
1002007-001-SP	SELECTOR PIN	15.00
1002017-000	SELECTOR DETENT PIN	3.00
1303003-000	SELECTOR DETENT PIN SPRING	1.50
1301008-004	SET SCREW, 8-36 X .250"	1.00
1102004-001-SAC	SEAR ASSEMBLY COMPLETE WITH SELECTOR	55.00

SAFETY SHAFT ASSEMBLY

• IMPROVED M-16 STYLE •

1102001-001-SSF	SAFETY SHAFT ASSEMBLY (SELECT FIRE)	\$ 25.00
1102008-001-SSS	SAFETY SHAFT ASSEMBLY (SEMI-AUTOMATIC)	\$ 30.00

RECEIVER ASSEMBLY

1002008-000	TRIGGER ASSEMBLY STOP PIN SLEEVE	\$ 4.00
1002009-000	STOCK RETAINING PIN SLEEVE	3.50
1002024-000	TOP STRAP BEARING SLEEVE	5.00
1002010-000	TRIGGER ASSEMBLY STOP PIN	2.00
1303004-000	TRIGGER ASSEMBLY STOP PIN SPRING	1.00
1002013-000	COCKING KNOB BOLT (AUSTRIAN & US)	25.00
1002004-000	COCKING KNOB	15.00
1002015-000	COCKING KNOB DUST COVER	15.00
1303002-000	SAFETY DETENT SPRING	1.00
1301010-000	SET SCREW, 1/4-28 X .312"	1.25
1304000-004	DOWEL PIN, SAFETY STOP, .062 DIA X .250"	2.00
1306003-000	BALL BEARING, .078" DIA (SAFETY)	1.50
1306003-001	BALL BEARING, .250" DIA (TOP STRAP)	.75
1304003-004	ROLL PIN, .067 DIA X .250"	.50
1102003-001-HBN	BARREL RETAINING KNOB ASSEMBLY (HVY BRL)	25.00
1102003-001-BR&R	BARREL RETAINER & RELEASE (AUSTRIAN)	45.00
1102003-001-ABN	BARREL RETAINING KNOB (AUSTRIAN)	12.00
1102004-001-SAK	SEAR ASSEMBLY KIT WITH SELECTOR	55.00
1304006-000	SOLID PIN, .250" SQUARE	12.00
1306005-000	SLING STUD (ILARCO, FEATHER, E&L)	7.50
1002008-000	TRIGGER ASSEMBLY STOP PIN SLEEVE	6.00
1002009-000	STOCK RETAINING PIN SLEEVE	4.00
1002024-000	TOP STRAP BEARING SLEEVE	6.00
1002010-000	TRIGGER ASSEMBLY STOP PIN	3.00
1303004-000	TRIGGER ASSEMBLY STOP PIN SPRING	1.00
1303002-000	SAFETY DETENT SPRING	1.00
1301010-000	SET SCREW, 1/4-28 X .312" (REPLACEMENT FOR ABN)	1.25
1304000-004	DOWEL PIN, SAFETY STOP, .062 DIA X .250"	2.00
1102008-001-SSF	SAFETY SHAFT ASSEMBLY, SEMI-AUTO	30.00
1102001-001-SSS	SAFETY SHAFT ASSEMBLY, SELECT FIRE	25.00
1306005-000	SLING MOUNTING KIT FRONT & BACK (AUSTRIAN)	25.00
1303014-000	TOP STRAP DETENT SPRING	15.00
1002006-000	BOLT SPRING GUIDE, SELECT FIRE	8.00
1002031-000	BOLT SPRING GUIDE, SEMI-AUTO	35.00
1303000-001-BS	BOLT SPRING, SELECT FIRE	15.00
130314-001-BS	BOLT SPRING, SEMI-AUTO	15.00
1002029-000	STRIKER RELEASE	20.00
1303012-000	STRIKER RELEASE SPRING	4.00
1303013-000	STRIKER SPRING	20.00
1002030-000	FIXED SEAR, SEMI-AUTO	20.00
1002007-001-SP	FIRE SELECTOR PIN	15.00

ACCESSORIES

1401000-001-SC	SOFT CARRYING CASE (BLACK PADDED)	\$ 60.00
1006012-001-LT	LOADING TRAY (TRANSPARENT LEXAN)	35.00
1006012-001-MLS	MAGAZINE LOADING STAND	25.00
1401000-001-RBR	RECEIVER CLEANING BRUSH & ROD	15.00
1401000-001-MB	MAGAZINE CLEANING BRUSH (SPECIAL)	10.00
1006012-001-WS	RETRACTABLE WIRE STOCK	60.00



E & L MANUFACTURING INC.

Home of the American 180 & The Best Brass Catchers In The

180 WEB SITE: www.american180.com E&L WEB SITE: www.elmfg.com

E-Mail: elmfg@frontiernet.net

Phone 541-874-2137 www.brasscatchers.com Fax 541-874-3107

AMERICAN 180 LARGE CAPACITY DRUM MAGAZINES

E & L Manufacturing, Inc. still has available for immediate shipment new pre-ban Lexan magazines in three different sizes for the American 180 .22 Rifle.

The 165 round transparent Lexan drum magazine weighs only 1 lb. 13 oz. loaded compared to 3 lbs. 9 oz. with a loaded 177 round drum. That's 1 lb. 12 oz. less weight! The same advantages, reliability, durability and ease of loading as well as being able to constantly see your remaining rounds are incorporated in all three Lexan magazines.

COMPARE THE ADVANTAGES OF REDUCED WEIGHT AND INCREASED FIREPOWER:

(American 180 Gun only - 6 lbs.. 4 oz.)

Original 177 Round Metal Drum Loaded - 3 lbs. 9 oz. (57 oz.)

E & L Transparent Lexan 220 Round Drum Loaded - 2 lbs. 5 oz. (37 oz.)

YOU SAVE 1 LB. 4 OZ. IN WEIGHT AND INCREASE FIREPOWER CAPACITY BY 43 ROUNDS!

E & L Transparent Lexan 275 Round Drum Loaded - 2 lbs. 12 oz. (44 oz.)

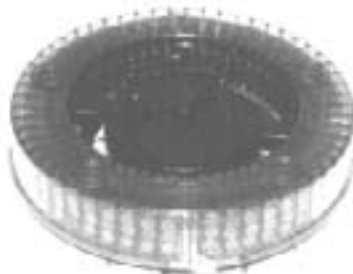
YOU SAVE 13 OZ. IN WEIGHT AND INCREASE FIREPOWER CAPACITY BY 98 ROUNDS!

E & L 165 ROUND TRANSPARENT DRUM \$75.00

E & L 220 ROUND TRANSPARENT DRUM....\$ 100.00

E & L 275 ROUND TRANSPARENT DRUM....\$ 125.00

We cannot ship High Capacity Magazines to the following; CA, DC, HI, MA, MD, RI and New York City.



CAUTION: Be aware that when the magazine appears to be empty, or spins to indicate it is empty, there may be from one to two rounds still within the receiver and capable of being fired. Always check to see that the gun is empty and pointed in a safe direction.



E & L MANUFACTURING INC.

Home of the American 180 & The Best Brass Catchers In The

180 WEB SITE: www.american180.com E&L WEB SITE: www.elmfg.com

E-Mail: elmfg@frontiernet.net

Phone 541-874-2137 www.brasscatchers.com Fax 541-874-3107

American 180 Winder Information

E & L Manufacturing, Inc. has available an Ung geared Winder that will continuously feed the entire contents of all American 180 Magazines including the 220 and the 275 round Lexan drums. The ungeared winder will also work on all metal drums including the original 177 round drum.

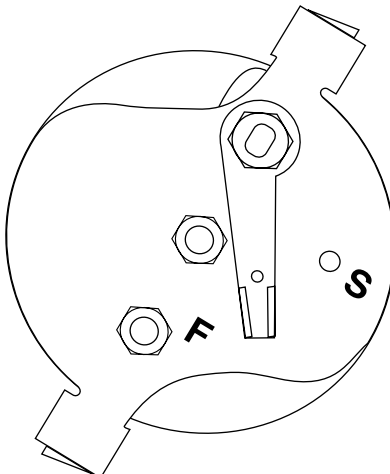
Important: After installing an Ung geared Winder into the loaded magazine you must wind 2 1/2 turns of pre-wind tension. Then wind an additional 1 full turn per layer of ammunition that has been previously loaded into the magazine.

For example, if you have a completely loaded 177 round metal drum which has three layers of ammunition, you will need to wind the new E & L Ung geared Winder 5 1/2 total turns. This is also true with all 165 round drums.

If you have a completely loaded 220 round Lexan drum, which has four layers so you will need 6 1/2 total turns. A completely loaded 275 round Lexan drum requires 7 1/2 total turns. It is very important not to over wind or under wind.

E & L will re-work your winders for a charge of \$25.00 each plus shipping. The re-worked winder will then function on all drums as described above.

New Winders: Geared Or Ung geared \$ 75.00





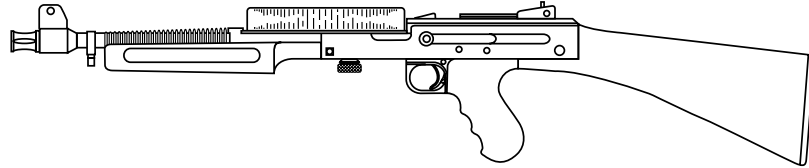
E & L MANUFACTURING INC.

Home of the American 180 & The Best Brass Catchers In The

180 WEB SITE: www.american180.com E&L WEB SITE: www.elmfg.com

E-Mail: elmfg@frontiernet.net

Phone 541-874-2137 www.brasscatchers.com Fax 541-874-3107



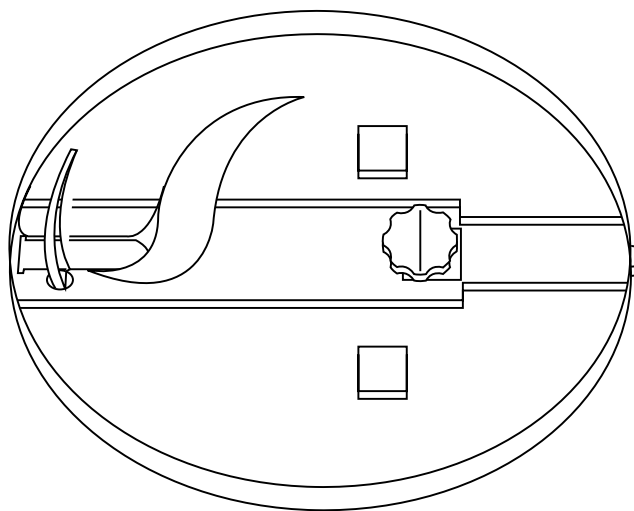
AMERICAN 180 LOADING TRAY

E & L Manufacturing has developed a LOADING TRAY that will greatly reduce the time spent loading drum magazines for the American 180.

The complaint most often expressed by American 180 owners is the time consumed in loading drums. With the E & L LOADING TRAY attached to the drum magazine, simply empty the contents of a 50 round box of cartridges onto the LOADING TRAY and align the cartridges while rotating the drum. The cartridges will feed directly into the drum and the time spent loading will be reduced to approximately 1 minute per layer.

The E & L LOADING TRAY will fit all American 180 metal drums as well as the new E & L transparent Lexan drums.

E & L LOADING TRAY- \$35.00_



CAUTION: Be aware that when the magazine appears to be empty, or spins indicating it is empty, there may be from one to two rounds still within the receiver and capable of being fired. Always check to see that the gun is empty and pointed in a safe direction.



E & L MANUFACTURING INC. Home of the American 180 & The Best Brass Catchers In The

180 WEB SITE: www.american180.com E&L WEB SITE: www.elmfg.com

E-Mail: elmfg@frontiernet.net

Phone 541-874-2137 www.brasscatchers.com Fax 541-874-3107

AMERICAN 180 CARRYING CASE

E & L Manufacturing now has available a convenient CARRYING CASE designed especially to accommodate the American 180 with ample room for three large capacity drum magazines including winders and space for the new E & L LOADING TRAY as well as a cleaning rod compartment.

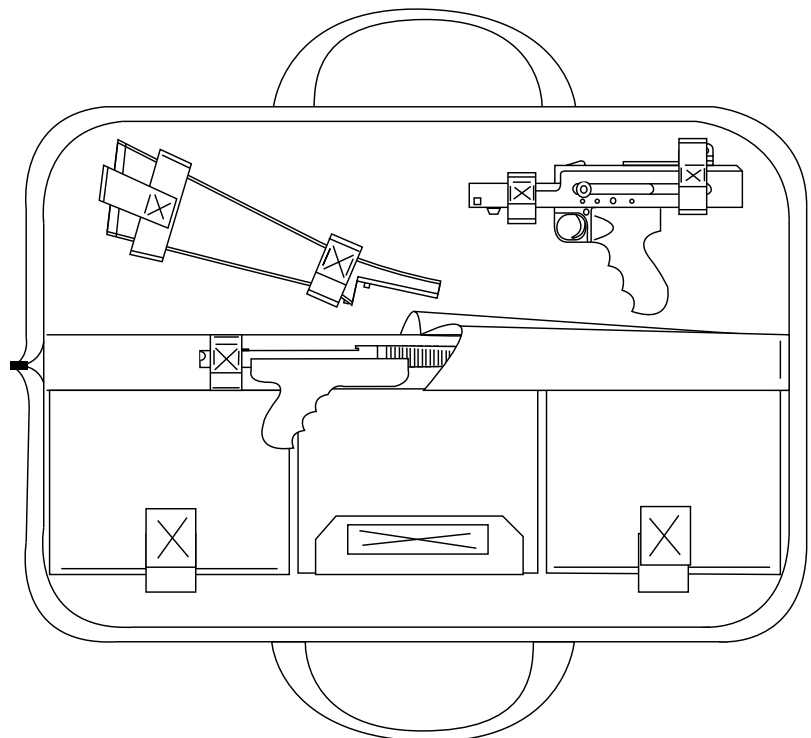
The lined and padded CARRYING CASE is constructed of black Dupont Cordura nylon.

Velcro straps hold the receiver and shoulder stock securely in place on one side, with the barrel and cleaning rod compartments located in the center. The opposite side contains the three large magazine compartments. The center magazine compartment can also be used for other accessories or for storage of extra ammo.

AMERICAN 180 CARRYING CASE - \$60.00

Folds in half and is zippered closed to a compact 12 X 27 inches and only 3 inches thick.

Note: With 3 each 275 round magazines, you could carry 825 rounds along with your gun, loaded and ready to use.





E & L MANUFACTURING INC.

Home of the American 180 & The Best Brass Catchers In The

180 WEB SITE: www.american180.com E&L WEB SITE: www.elmfg.com

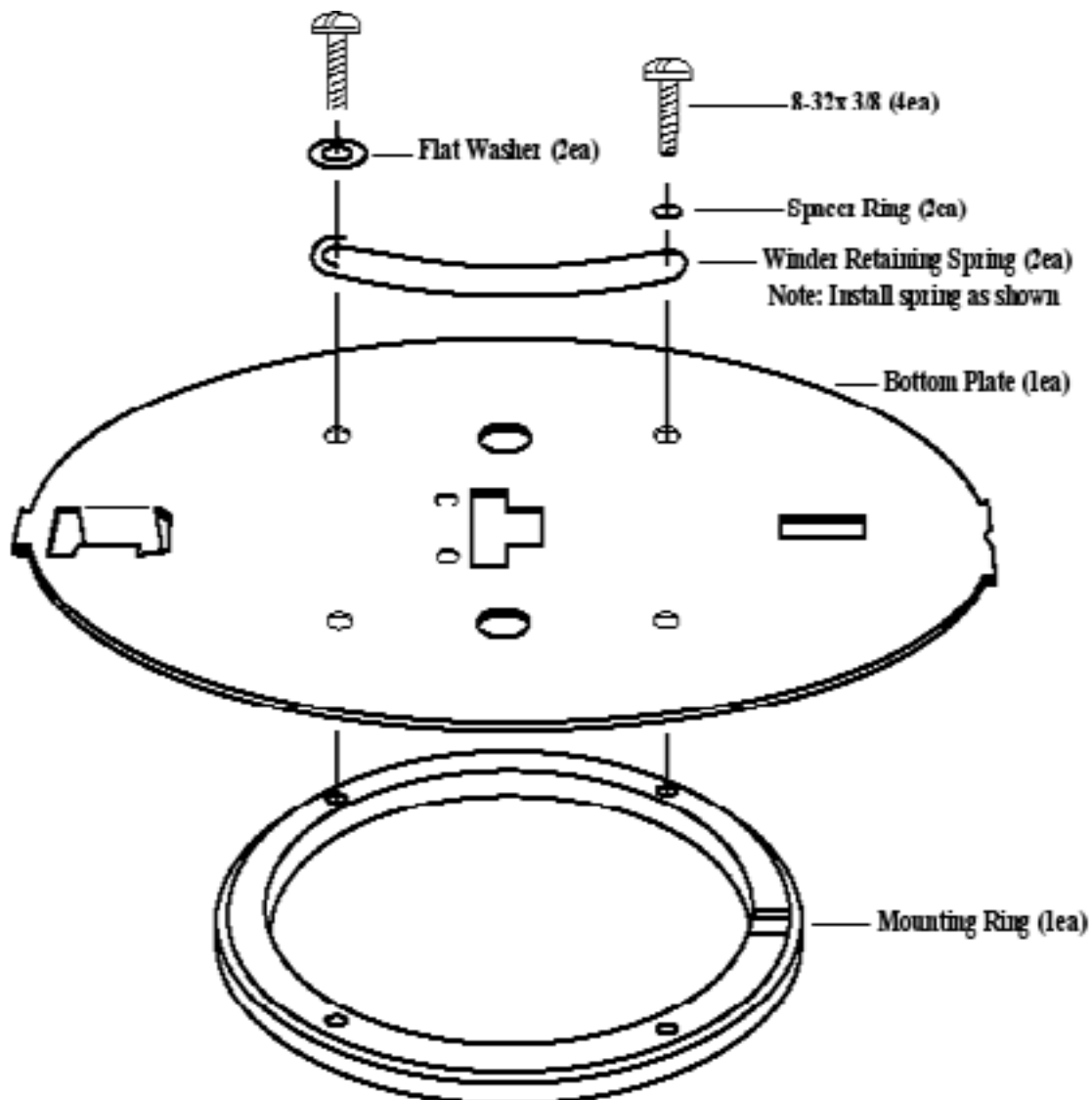
E-Mail: elmfg@frontiernet.net

Phone 541-874-2137 www.brasscatchers.com Fax 541-874-3107

MAGAZINE BOTTOM PLATE (ALUMINUM)

E & L Manufacturing now has available new Magazine Bottom Plates, made of aluminum and anodized to a hard black satin finish. The Magazine Bottom Plate Sets, contain all the necessary hardware required to be retrofitted to any of the Lexan Magazine Uppers.

BOTTOM PLATE AND HARDWARE — \$ 45.00





E & L MANUFACTURING INC.

Home of the American 180 & The Best Brass Catchers In The

180 WEB SITE: www.american180.com E&L WEB SITE: www.elmfg.com

E-Mail: elmfg@frontiernet.net

Phone 541-874-2137 www.brasscatchers.com Fax 541-874-3107

MAGAZINE LOADING STAND

The E&L Magazine Loading Stand holds the magazine with the loading tray attached at a specific angle; enabling you to load a standard three layer magazine in approximately three minutes, or a five layer magazine in about five minutes. Simply place the magazine (metal or plastic, with the E&L Loading Tray attached) on top of the loading stand as pictured below. Make sure to position the stand as indicated with the arrow pointing down and towards the operator.

MAGAZINE LOADING STAND \$ 25.00

